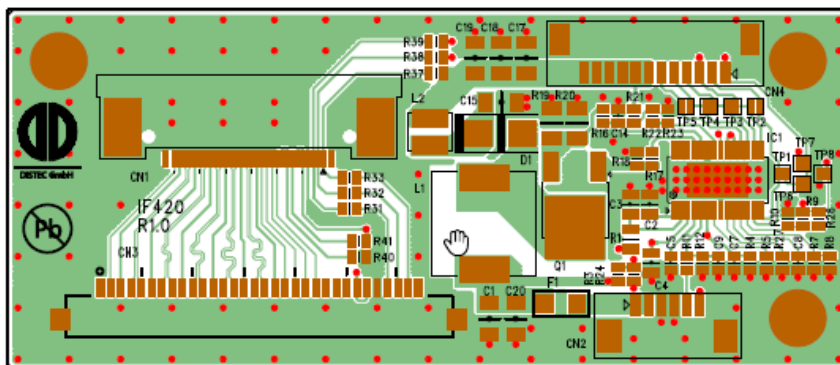


# Datasheet

## IF420-00

IF420-00 Gender board f. COM70H7M24ULC

ZU-02-420



Version 0.1

26.07.2018

The information contained in this document has been carefully researched and is, to the best of our knowledge, accurate. However, we assume no liability for any product failures or damages, immediate or consequential, resulting from the use of the information provided herein. Our products are not intended for use in systems in which failures of product could result in personal injury. All trademarks mentioned herein are property of their respective owners. All specifications are subject to change without notice.

---

## Table of Contents

1	Revision History .....	3
2	Overview .....	4
3	General Features .....	4
4	Absolut Maximum Ratings .....	4
5	Electrical Specification .....	5
6	Mechanical Specification.....	6
7	Connectors.....	7
7.1	Input Connectors.....	7
7.2	Output Connectors.....	8
8	Ordering Information .....	8

preliminary

## 1 Revision History

Date	Rev.No.	Description	Page
26.07.2018	1.0	Initial version	All

preliminary

## 2 Overview

The IF420-00 is an interface board for the 7" inch Ortustech COM70H7M24ULC with Blanview 2<sup>nd</sup> Generation and contains an LED driver part and wire to board connectors for the LVDS and Backlight.  
For the 5" inch Ortustech COM50H5N01ULC with New Blanview technology there is also an interface available: IF420-01.

## 3 General Features

LVDS and Backlight input with wire to board connectors.  
Integrated LED driver MPS MP3391 for 12V input voltage.  
Backlight control via PWM (100Hz – 20 kHz).  
Backlight enable.

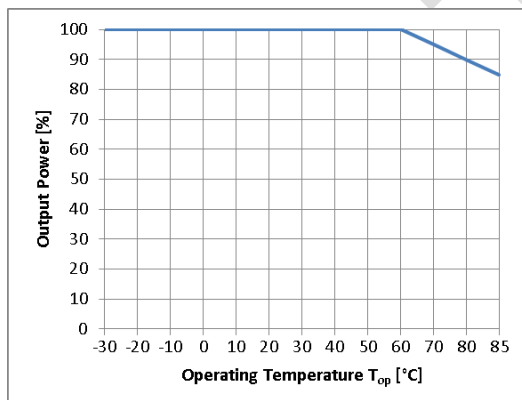
## 4 Absolut Maximum Ratings

Item	Symbol	Min.	Max	Unit	Note
Supply Voltage	$V_{LED}$	9	35	VDC	1, 2
Control Voltages	$V_{EN}, V_{PDIM}$	0.3	6.3	V	2
Storage Temperature	$T_{st}$	-40	+95	°C	2
Operating Temperature	$T_{op}$	-30	+85	°C	2, 3

**Note (1)** Within operating temperature range.

**Note (2)** Permanent damage to the device may occur if maximum values are exceeded.

**Note (3)** In the upper range of  $T_{OP}$  total output power as well as the heat dissipation/cooling has to be checked. Forced airflow might be required. The diagram below shows the derating characteristic:



## 5 Electrical Specification

Item	Symbol	Min.	Typ.	Max	Unit	Note
LED Supply Voltage	$V_{LED}$	10	12	16	VDC	
LED Input Power	$P_{LED}$		1.1	1.3	W	
Efficiency		88	90	93	%	
Min. On Level voltage	$V_{EN}, V_{PDIM}$	1.6		5.0	V	1
Max. Off Level voltage	$V_{EN}, V_{PDIM}$	0		0.6	°C	1
PWM Frequency	$F_{PWM}$	100		20k	Hz	
PWM Duty	$D_{PWM}$	0.3		100	%	2
PWM Voltage	$V_{PWM}$	0	3.3	5.0		

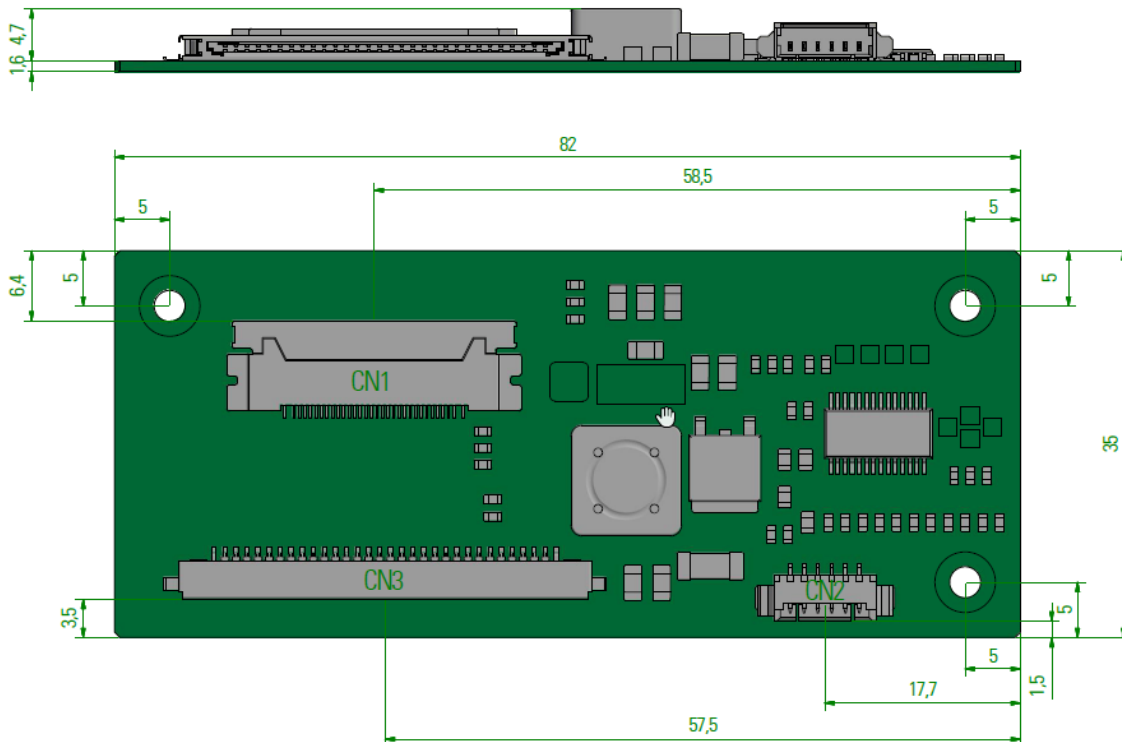
**Note (1)** PWM Mode

**Note (2)** PWM Duty min depends on PWM frequency

$F_{PWM}$ (hz)	$D_{min}$ (%)	$D_{max}$ (%)
100<f≤200	0.30	100
200<f≤500	0.75	100
500<f≤1k	1.50	100
1k<f≤2k	3.00	100
2k<f≤5k	7.50	100
5k<f≤10k	15.00	100
10k<f≤13k	19.00	100
13k<f≤20k	30.00	100

## 6 Mechanical Specification

Item	Description	Note
Length	82 mm	± 0.2mm
Width	35 mm	± 0.2 mm
Height (top side)	4.7 mm	± 0.2 mm
Height (PCB)	1.6 mm	± 0.1 mm
Height (Bottom)	0 mm	No components on bottom side



## 7 Connectors

CON	Description	Type	Manufacturer
CN1	Panel Connector	IMSA-9699S-30A-GFN1	Iriso
CN2	Backlight driver	53261-0600	Molex
CN3	LVDS Data	FI-X30SSLA-HF	JAE

### 7.1 Input Connectors

#### CN2 Backlight Driver

Pin	Signal	Description
1	V <sub>LED</sub>	LED Supply Voltage
2	V <sub>LED</sub>	LED Supply Voltage
3	GND	Ground
4	GND	Ground
5	EN	Backlight on/off control
6	PDIM	PWM Brightness control

#### CN3 LVDS Data

Pin	Signal	Description	Pin	Signal	Description
1	NC	No connection	16	R0-	LVDS DATA0(-)
2	GND	Ground	17	GND	Ground
3	R3+	LVDS DATA3(+)	18	STBYB	Standby signal
4	R3-	LVDS DATA3(-)	19	IM	6/8 bit L:6bit H: or NC 8bit
5	GND	Ground	20	UL/DR	UL/DR L: DR H: or NC UL
6	R2+	LVDS DATA2(+)	21	NC	No connection
7	R2-	LVDS DATA2(-)	22	NC	No connection
8	GND	Ground	23	NC	No connection
9	CLK+	LVDS Clock(+)	24	NC	No connection
10	CLK-	LVDS Clock(-)	25	VDD	Panel Power
11	GND	Ground	26	VDD	Panel Power
12	R1+	LVDS DATA1(+)	27	GND	Ground
13	R1-	LVDS DATA1(-)	28	NC	No connection <sup>1</sup>
14	GND	Ground	29	NC	No connection <sup>1</sup>
15	R0+	LVDS DATA0(+)	30	NC	No connection <sup>1</sup>

**Note (1)** Panel BLH; BLL1; BLL2 LED strings may be wired with an assembly variant of the IF420 to supply with current directly without on board LED driver.

## 7.2 Output Connectors

### CN1 Panel Connector

Pin	Signal	Description	Pin	Signal	Description
1	BLH	LED driver source (A)	16	R0+	LVDS Data0(+)
2	BLL2	LED driver source (C2)	17	GND	Ground
3	BLL1	LED driver source (C1)	18	R1-	LVDS Data1(-)
4	GND	Ground	19	R1+	LVDS Data1(+)
5	VDD	Panel Power input	20	GND	Ground
6	VDD	Panel Power input	21	CLK-	LVDS Clock(-)
7	Test1	Connect to VDD	22	CLK+	LVDS Clock(+)
8	Test2	Connect to GND	23	GND	Ground
9	Test3	Connect to GND	24	R2-	LVDS Data2(-)
10	NC	No Connection	25	R2+	LVDS Data2(+)
11	UL/DR	Up & Left / Down & Right	26	GND	Ground
12	IM	6/8 bit	27	R3-	LVDS Data3(-)
13	STBYB	Standby Signal	28	R3+	LVDS Data3(+)
14	GND	Ground	29	GND	Ground
15	R0-	LVDS Data0(-)	30	NC	No Connection

## 8 Ordering Information

Part Number	Description	Note
ZU-02-420	IF420-00 Gender board f. COM70H7M24ULC	
ZU-02-420A	IF420-01 Gender board f. COM50H5N01ULC	
OR-03-001	COM70H7M24ULC-IF	Panel with preassembled IF420-00
OR-03-002	COM50H5N01ULC-IF	Panel with preassembled IF420-01
KA-10-199	Cable Prisma / IF420 300mm	LVDS Data, Backlight Power input cable



Our company network supports you worldwide with offices in Germany, Austria, Switzerland, Great Britain and the USA. For more information please contact:

## Headquarters

### Germany



#### FORTEC Elektronik AG

Lechwiesenstr. 9  
86899 Landsberg am Lech

Phone: +49 8191 91172-0  
E-Mail: [sales@forteca.de](mailto:sales@forteca.de)  
Internet: [www.forteca.de](http://www.forteca.de)

## Fortec Group Members

### Austria



#### FORTEC Elektronik AG

##### Office Vienna

Nuschinggasse 12  
1230 Wien

Phone: +43 1 8673492-0  
E-Mail: [office@fortec.at](mailto:office@fortec.at)  
Internet: [www.fortec.at](http://www.fortec.at)

### Germany



#### Distec GmbH

Augsburger Str. 2b  
82110 Germering

Phone: +49 89 894363-0  
E-Mail: [info@distec.de](mailto:info@distec.de)  
Internet: [www.distec.de](http://www.distec.de)

### Switzerland



#### ALTRAC AG

Bahnhofstraße 3  
5436 Würenlos

Phone: +41 44 7446111  
E-Mail: [info@altrac.ch](mailto:info@altrac.ch)  
Internet: [www.altrac.ch](http://www.altrac.ch)

### Great Britain



#### Display Technology Ltd.

5 The Oaks Business Village  
Revenge Road, Lordswood  
Chatham, Kent, ME5 8LF

Phone: +44 1634 672755  
E-Mail: [info@displaytechnology.co.uk](mailto:info@displaytechnology.co.uk)  
Internet: [www.displaytechnology.co.uk](http://www.displaytechnology.co.uk)

### USA



#### Apollo Display Technologies, Corp.

87 Raynor Avenue,  
Unit 1 Ronkonkoma,  
NY 11779

Phone: +1 631 5804360  
E-Mail: [info@apolloDisplays.com](mailto:info@apolloDisplays.com)  
Internet: [www.apolloDisplays.com](http://www.apolloDisplays.com)